

viprotech

Vipromat Integral

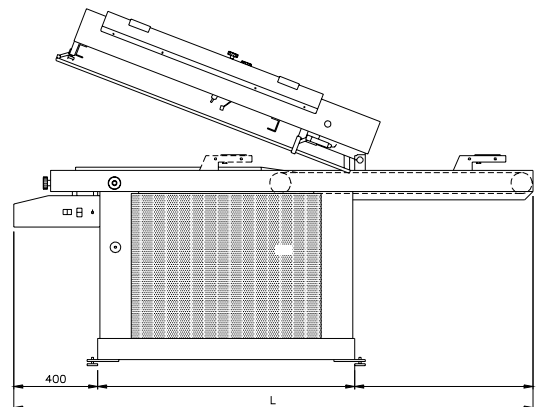
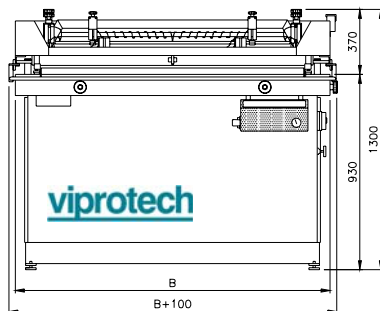


Viprotech
keeps
screen
printing
moving

Semi-automatic screen printing machine with integrated take-off unit and conveyer belt. The Vipromat Integral, based on the Vipromat Executive, can be positioned right in front of a dryer. The take-off unit has four sideways movable and separately operated sucker heads. The adjustable length of the take off enables even small print sheets to be positioned at the front of the printing table. The whole concept, the compactness, the user friendliness and the fast adjustability of both machine and take-off unit make the Integral a work-horse with a very high productivity. The variable take-off speed together with the powerful and adjustable vacuum makes processing of more difficult materials easy.

- The printing parameters on the printing unit can be set fully electronically on the control panel, allowing these parameters to be recorded for repeat jobs. A digital display shows all set values and production parameters
- Printing table of anodised aluminum and equipped with an absolutely playfree fine-register adjustment in X-Y and diagonal direction
- Electric adjustment of the off-contact with digital read-out. Off-contact adjustment: 3-28 mm
- Automatic lift-off
- The squeegee is printing from front to rear, offering excellent control over the screen during the print stroke
- Pneumatic screen locking system. Screens can be slid in from the side and may extend the machine on either side. Especially useful when printing successive jobs with a single screen
- Independent variable squeegee and floodcoater speed, adjustable between 0,2 - 1,2 m/sec
- Digital read-out
- Adjustable print stroke by sliding proximity switches
- High precision linear bearing system for vibration-free squeegee guiding
- Pneumatic Squeegee / floodcoater change-over system and an independent pneumatic squeegee pressure system with two pressure cylinders. Accurate pressure setting with manometer reading and on-off function from the control panel
- Print-flood or flood-print action
- Adjustable dwell at the end of the squeegee stroke to ensure perfect peel under all conditions
- Fully programmable vacuum function:
 - A permanent vacuum for set-up purposes
 - Pre-vacuum with adjustable dwell for easy handling of warped materials
 - Blow-back for easy take-off of heavy or light static materials
- Electronic printed sheet counter
- Full security around the printing machine by means of a red safety bar and emergency buttons that stops the machine in case of obstruction. Intrinsic safe lifting mechanism
- The take-off unit, adjustable in depth (A4 portrait), has 4 suction units with round, 21 mm suction cups, independently adjustable in width
- These suction units, which are developed by Viprotech, come down vertically as soon as the stop position is reached. This way also materials that are difficult to process can be handled
- High quality conveyor belt. The belt speed is adjustable from 5 to 25 m/min

Compressor not included



Sizes in mm

Maximum printing size	500 x 700	700 x 1000	900 x 1250	1000 x 1400
Maximum frame size	925 x 1200	1125 x 1500	1275 x 1700	1425 x 1900
Maximum sheet size	685 x 950	885 x 1250	1035 x 1450	1185 x 1650
L	2075	2475	2775	3125
B	1200	1500	1700	1900
Power connection	230 V, 50 Hz, 1ph+N+Pe, 3 kW			
Air connection	6 bar, 85 nl/min, free air			

Technical changes reserved

viprotech

HAARLEM-HOLLAND TEL 023 5319123 FAX 023 5311240 WWW.VIPROTECH.COM