

viprotech

Vipromat

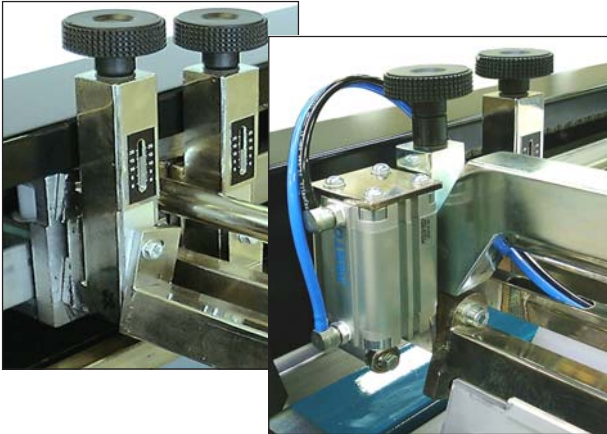


Viprotech
keeps
screen
printing
moving

The Vipromat is one of the best sold semiautomatic screen printing machines and stands for top quality following the latest technology. The Vipromat comes in two models: the Standard and the *Executive* and in four printing sizes (p.t.o.). The Vipromat is different from the other machines because of the compact way it is built and it's easy use. This way the machine can be adjusted quickly and machine standstill is reduced to a minimum. The Vipromat also distinguishes itself by, for example, the direction of printing (from front to rear) so the printer has a better view on the screen and the squeegees. The screen is unlimitedly movable in the master frame so lay-stops do not have to be replaced often and the printing job remains in position. The aluminium printing table is centrally adjustable in height and many other features make this printing machine very easy to operate. By using modern electronics all functions can be read out on the display and they give reliable information when adjusting the next printing job. This way the setup time is reduced to a minimum.

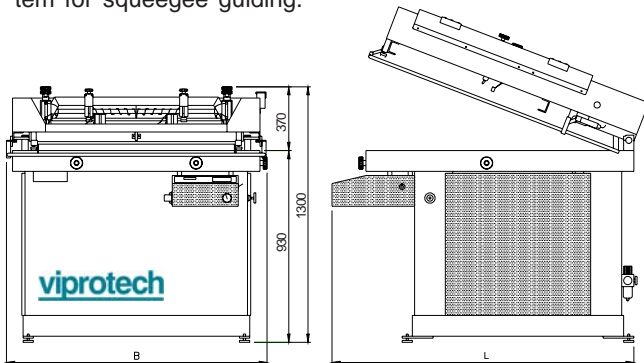
Squeegee system on the Standard

Independent adjustable speed of squeegee, digital read-out of the speed, adjustable printstroke length, adjustable stop of squeegee, quick locking system for squeegee.



Squeegee system on the Executive

Besides the standard features: Pneumatic squeegee/floodcoater change-over system and independent squeegee pressure, strong squeegee bars and linear bearing system for squeegee guiding.



Sizes in mm

Maximum printing size	500x700	700x1000	900x1250	1000x1400
Maximum frame size	925x1200	1125x1500	1275x1700	1425x1900
Maximum sheet size	685x950	885x1250	1035x1450	1185x1650
L	1500	1700	1900	2100
B	1300	1600	1800	2000
Max. stock thickness	25			
Off-contact variable	3 - 28			
Max. nr of prints/hour	875	850	825	750
Fine register adjustm	+20 / -20			
Squeegee speed m/sec	0,2 - 1,2			
Squeegee angle adjust	75 - 90°			
Machine weight	350	435	520	600
Electrical connection	230 V, 50 Hz, 1ph+N+Pe, 3 kW			
Air consumption	6 bar, 20 nl/min			

Technical changes reserved

The screen can be slid in from the side and may extend the machine on either side during printing. This way it is possible to shove the screen outside the frame and place the next colour or text at the same position to the lay-stops on the printing table. Provided with red safety bar and CE-tested.



The touch screen control panel is made of anodised aluminium and provided with function symbols and a readout on display of information on set values.

The Vipromat has a specially constructed floodcoater so an "ink-reservoir" is created between floodcoater and squeegee. This way the loss of ink on the rear is minimized. All necessary adjustments can be made quickly and without any special tools.

Vipromat Standard

Anodized aluminium printing table equipped with an absolute positive action fine register adjustment in X-Y-Z direction. Centrally lift-off adjustment. Automatic lift-off. Screen can be slid in from the side and may extend during printing. Independent adjustable length of squeegee stroke. Independent setting of squeegee and floodcoater with digital readout. Adjustable dwell of the squeegee stroke before or after floodcoating. Adjustable lift-off time. Silent vacuum and adjustable pre-vacuum. Printing automatically by means of a set time or by means of a footswitch.

Vipromat Executive

Vipromat Standard features plus: Electric adjustment of the off-contact of the printing table by setting the value on the display. Pneumatic locking system of the screens. Strong squeegee bars. High accurate linear bearing system for squeegee guiding. Pneumatic squeegee/floodcoater change-over system and independent of this an adjustable pneumatic squeegee pressure system with digital readout. Fully adjustable vacuum functions like permanent and pre-vacuum adjustable in time, blow-back to loosen the printed material from the vacuum table.

Extra options at extra price:

Stainless steel table top, pneumatically operated lay-stops, dripless squeegee system during floodcoating to prevent ink from dripping on the screen (only on Executive - maximum printing size will be reduced by approx. 5 cm), automatic take-off for connection to a conveyor dryer.

viprotech

HAARLEM-HOLLAND TEL 023 5319123 FAX 023 5311240 WWW.VIPROTECH.COM